

Basic Budgie Cart



Ergonomic



Easy to clean



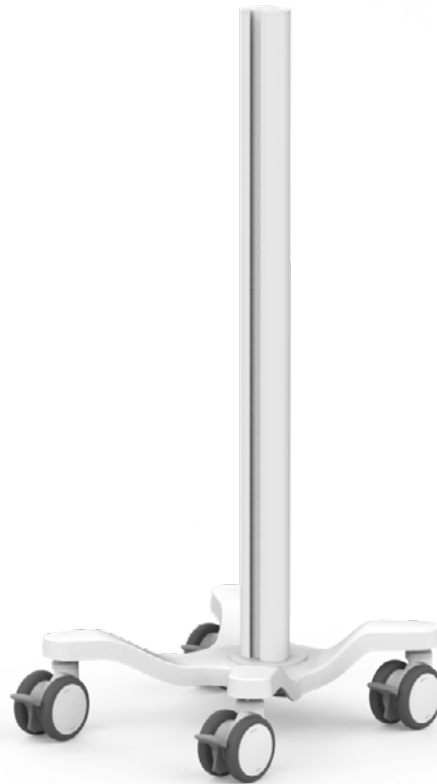
Multi purpose



Lifetime warranty

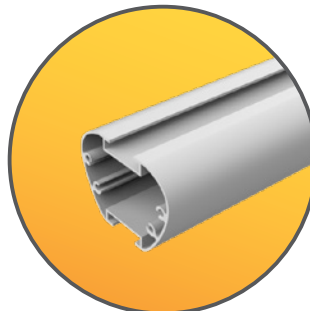


Quick setup



FEATURES

Designed and manufactured in Hungary, products are typically 100% recyclable and upgradable in the future. Raw materials are sourced locally or in the EU.



*Channels to
fix accessories*



Lockable wheels

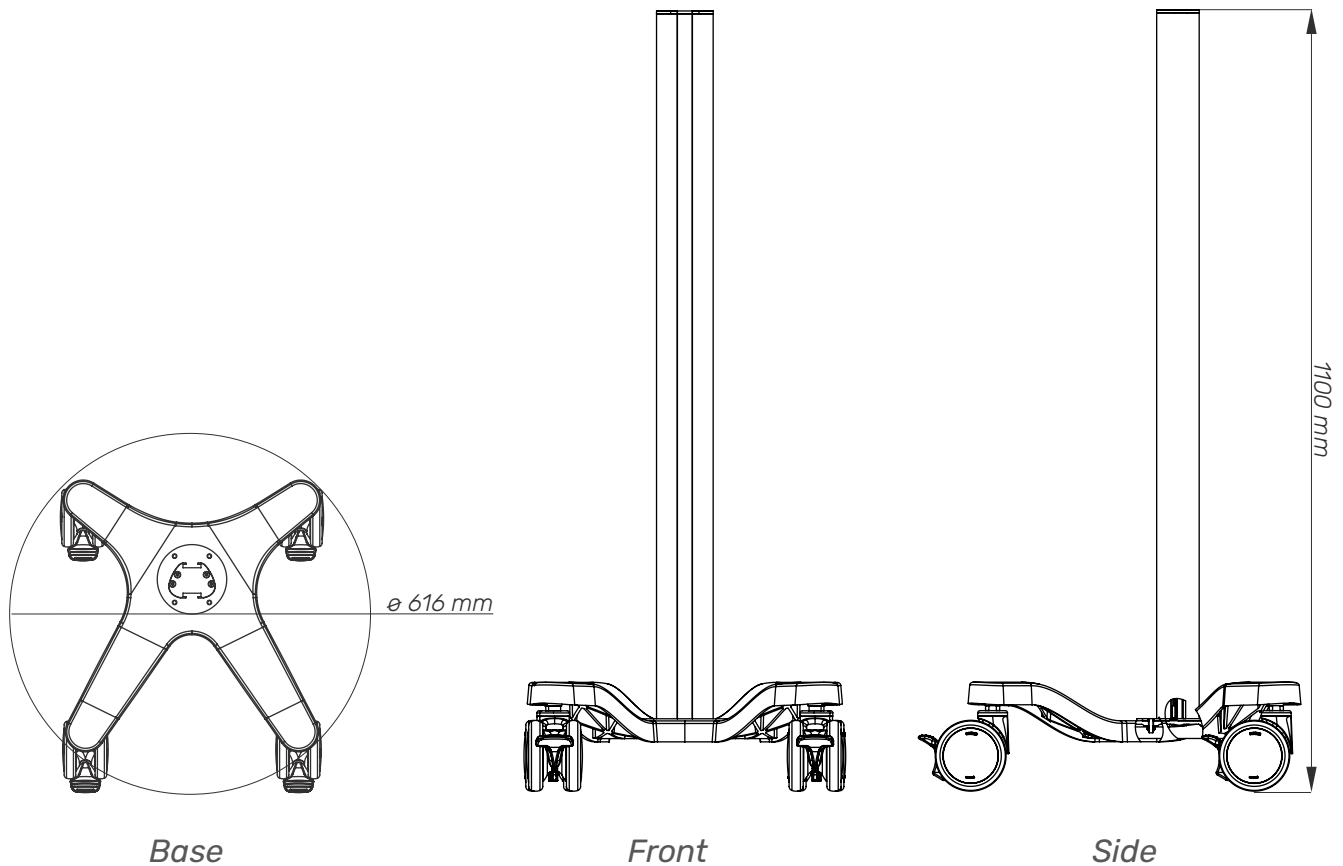
Cart Properties

Dimensions and mechanical data



More info
on website

 Accessories
available



Mechanical data	
Height	1100 mm
Wheelbase dimension	616 mm (diameter)
Wheel construction	Polyamide with Polyurethane tread
Wheels/locking	2 lockable, 100 mm diameter
Loading capacity	25 kg
Construction	
Main material	Aluminium
Color	
RAL 9016	
Custom color	
Certificates	
Certificates conforms to	IEC60601-1:2012 (Edition 3)
CE	Rohs compliant