

CHA4-3-B-WS3

MEDICAL
CART COMPANY

Height adjustable cart with mouse pad

Chameleon 4 Range



Ergonomic



Easy to clean



Multi purpose



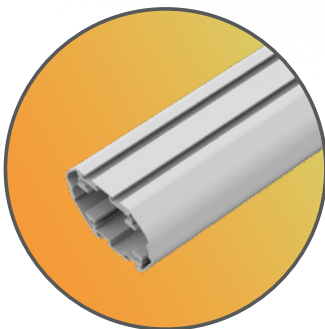
Lifetime warranty



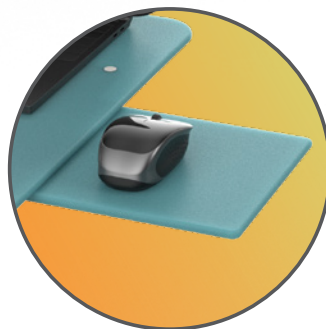
Quick setup



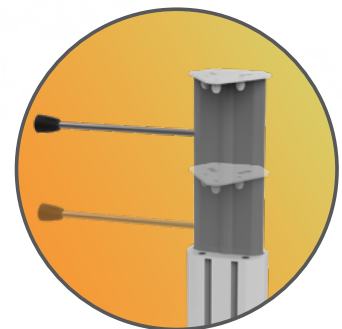
FEATURES



Built in channels to fix accessories



Mouse pad



Height adjustment



Designed and manufactured in Hungary, products are typically 100% recyclable and upgradable in the future. Raw materials are sourced locally or in the EU.

Cart Properties

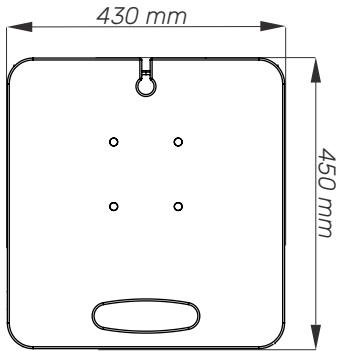
Dimensions and mechanical data



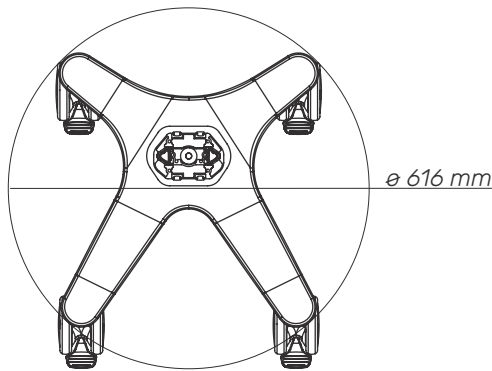
More info
on website



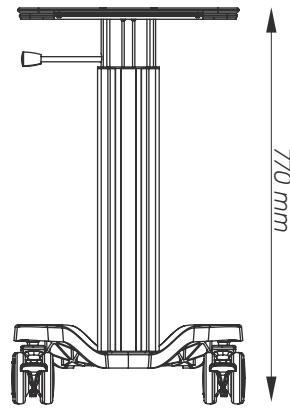
Accessories
available



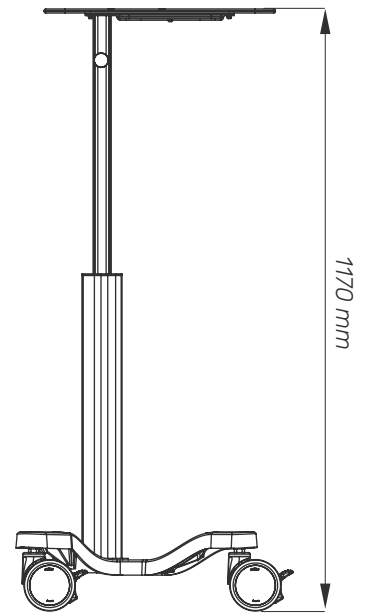
Work surface



Top



Front



Side



Mechanical data

Work surface height	Min: 770 mm Max: 1170 mm
Wheelbase dimension	616 mm (diameter)
Work surface dimensions	Width: 430 mm Height: 450 mm
Wheels/locking	2 lockable, 100 mm diameter
Loading capacity	25 kg

Construction

Main material	Aluminium, PMMA
---------------	-----------------

Color

RAL 9016	
Custom color	

Certificates

Certificates conforms to	IEC60601-1:2012 (Edition 3)
CE	Rohs compliant