

CHA4-3-B

MEDICAL
CART COMPANY

Height adjustable cart, with laptop mount, mouse pad and power supply holder

Chameleon 4 Range



Ergonomic



Easy to clean



Multi purpose



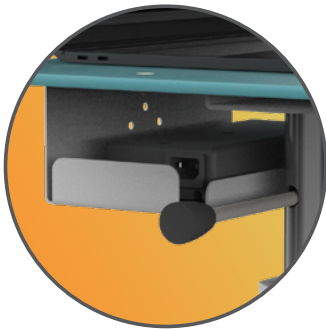
Lifetime warranty



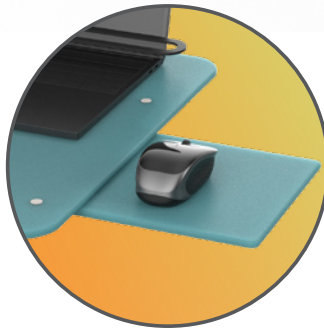
Quick setup



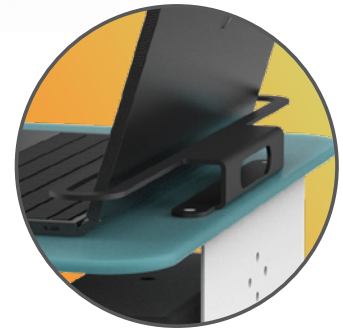
FEATURES



Power supply holder



Mouse pad



Laptop protection up to 17"



Designed and manufactured in Hungary, products are typically 100% recyclable and upgradable in the future. Raw materials are sourced locally or in the EU.

Cart Properties

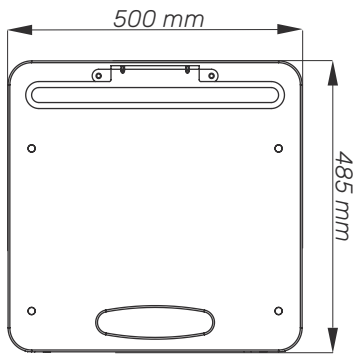
Dimensions and mechanical data



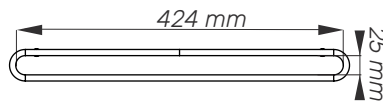
More info
on website



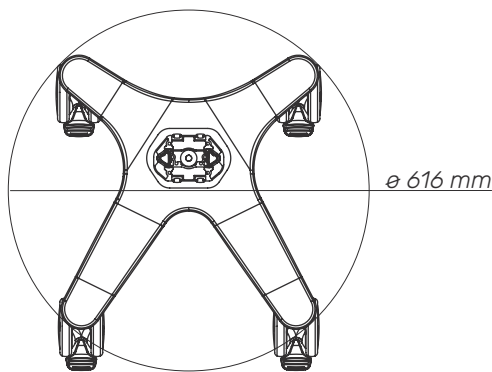
Accessories
available



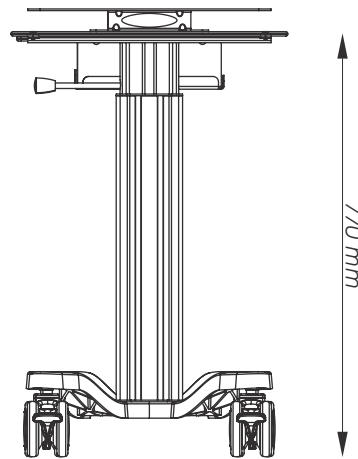
Work surface



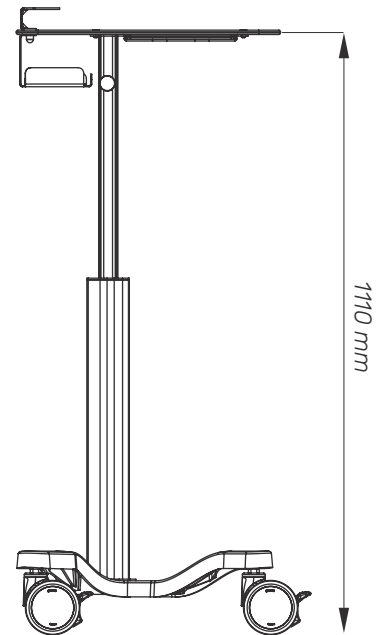
Laptop stand



Top



Front



Side

Mechanical data

Work surface height	Min: 770 mm Max: 1110 mm
Wheelbase dimension	616 mm (diameter)
Work surface dimensions	Width: 500 mm Height: 485 mm
Wheels/locking	2 lockable, 100 mm diameter
Loading capacity	25 kg
Laptop protector	Up to 17"; Width: 424 mm

Construction

Main material	Aluminium, PMMA
---------------	-----------------

Color

RAL 9016	
Custom color	

Certificates

Certificates conforms to	IEC60601-1:2012 (Edition 3)
CE	Rohs compliant