

# **CHA4-3**

**MEDICAL**  
CART COMPANY

Height adjustable cart  
with laptop mount

## Chameleon 4 Range



*Ergonomic*



*Easy to clean*



*Multi purpose*



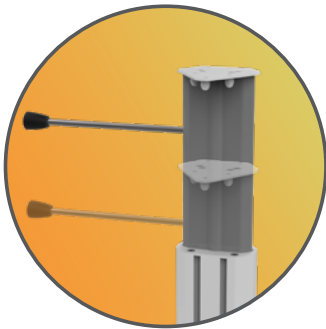
*Lifetime warranty*



*Quick setup*



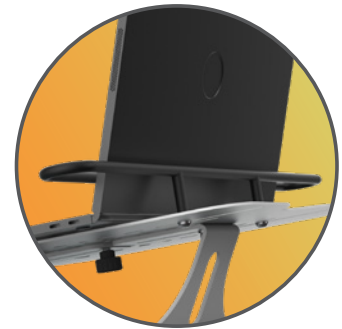
## FEATURES



*Height adjustment and  
channels to fix accessories*



*Lockable wheels*



*Laptop protection up to 17"*



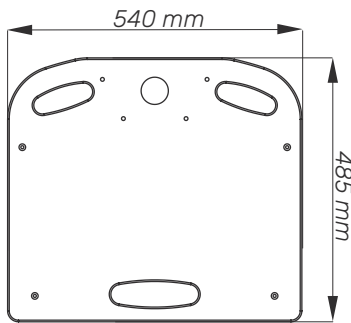
*Designed and manufactured in  
Hungary, products are typically  
100% recyclable and upgradable  
in the future. Raw materials are  
sourced locally or in the EU.*

# Cart Properties

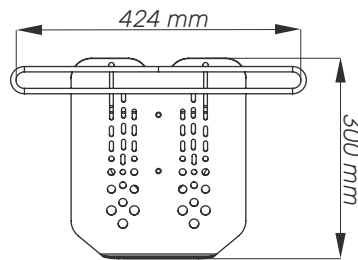
Dimensions and mechanical data



More info  
on website



Work surface



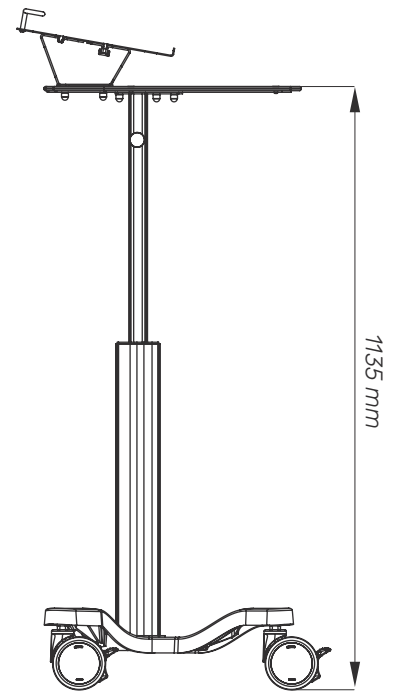
Laptop stand



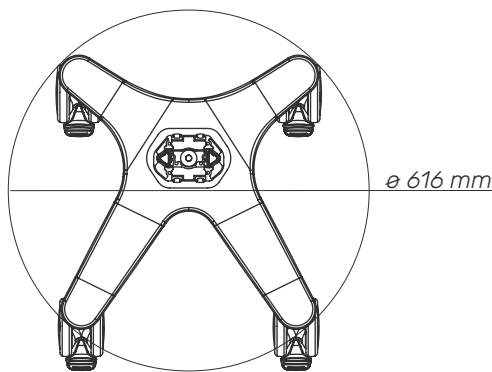
Accessories  
available



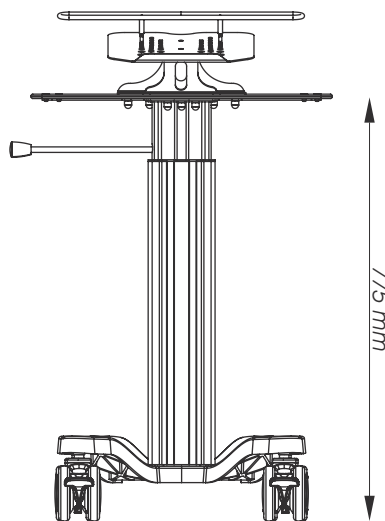
Laptop Mount  
Datasheet





Side



Top



Front

Mechanical data	
Work surface height	Min: 775 mm Max: 1135 mm
Wheelbase dimension	616 mm (diameter)
Work surface dimensions	Width: 540 mm Height: 485 mm
Wheels/locking	2 lockable, 100 mm diameter
Loading capacity	36 kg
Laptop stand	Up to 17"; Width: 424 mm; Length: 300 mm
Construction	
Main material	Aluminium, PMMA
Color	
RAL 9016	
Custom color	
Certificates	
Certificates conforms to	IEC60601-1:2012 (Edition 3)
CE	Rohs compliant