

CHA4-5

MEDICAL
CART COMPANY

Height adjustable cart with keyboard tray and laptop mount

Chameleon 4 Range



Ergonomic



Easy to clean



Multi purpose



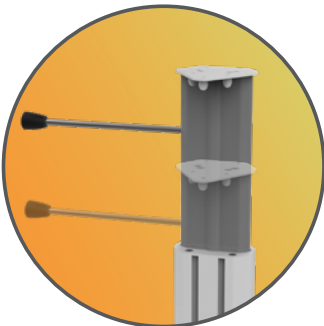
Lifetime warranty



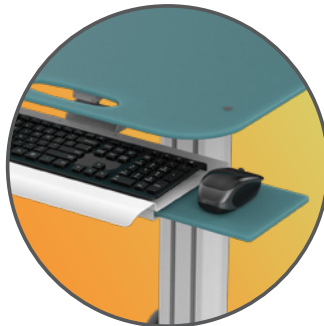
Quick setup



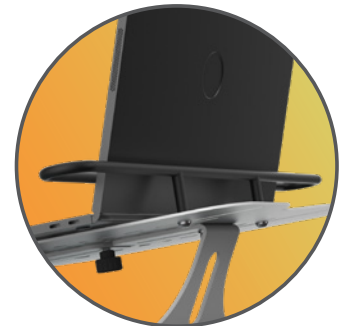
FEATURES



Height adjustment and channels to fix accessories



Keyboard tray with mouse pad



Laptop protection up to 17"



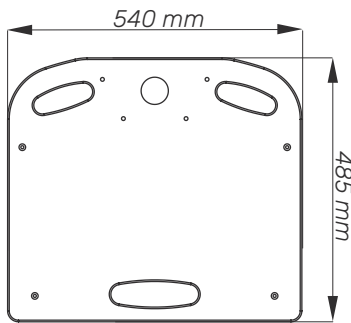
Designed and manufactured in Hungary, products are typically 100% recyclable and upgradable in the future. Raw materials are sourced locally or in the EU.

Cart Properties

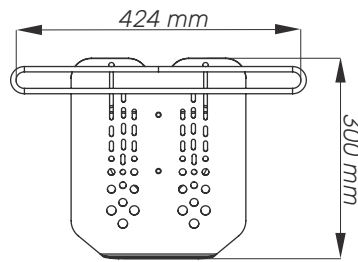
Dimensions and mechanical data



More info
on website



Work surface



Laptop stand



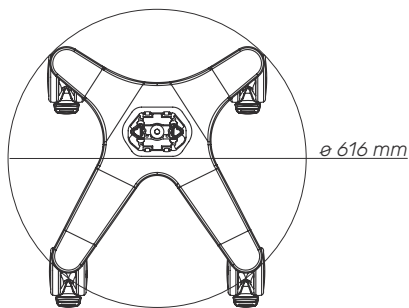
Accessories
available



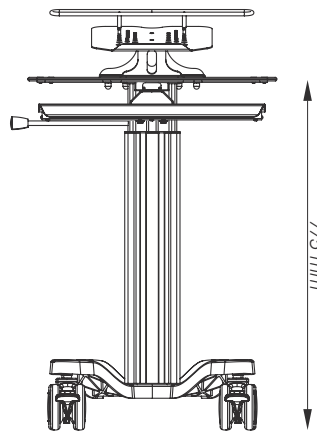
Keyboard Tray
Datasheet



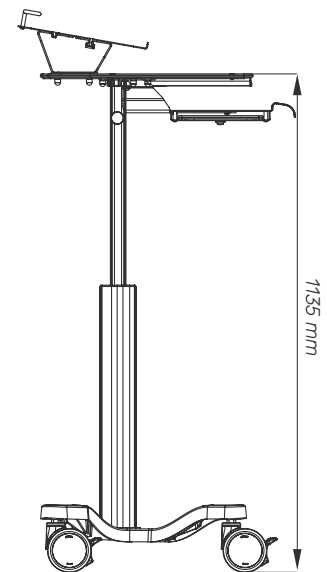
Laptop Mount
Datasheet



Top



Front



Side

Mechanical data

Work surface height	Min: 775 mm Max: 1135 mm
Wheelbase dimension	616 mm (diameter)
Work surface dimensions	Width: 540 mm Height: 485 mm
Wheels/locking	2 lockable, 100 mm diameter
Loading capacity	36 kg
Laptop stand	Up to 17"; Width: 424 mm; Length: 300 mm

Construction

Main material	Aluminium, PMMA
---------------	-----------------

Color

RAL 9016	
Custom color	

Certificates

Certificates conforms to	IEC60601-1:2012 (Edition 3)
CE	Rohs compliant