

CHA6-2

MEDICAL
CART COMPANY

Height adjustable cart
with tablet mount

Chameleon 6 Range



Ergonomic



Easy to clean



Multi purpose



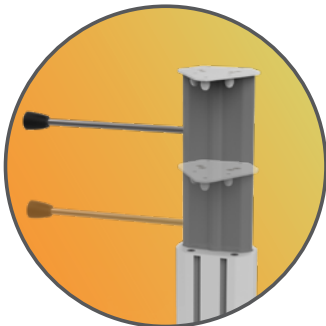
Lifetime warranty



Quick setup



FEATURES



*Height adjustment and
channels to fix accessories*



Lockable wheels



Tablet mount



*Designed and manufactured in
Hungary, products are typically
100% recyclable and upgradable
in the future. Raw materials are
sourced locally or in the EU.*

Cart Properties

Dimensions and mechanical data



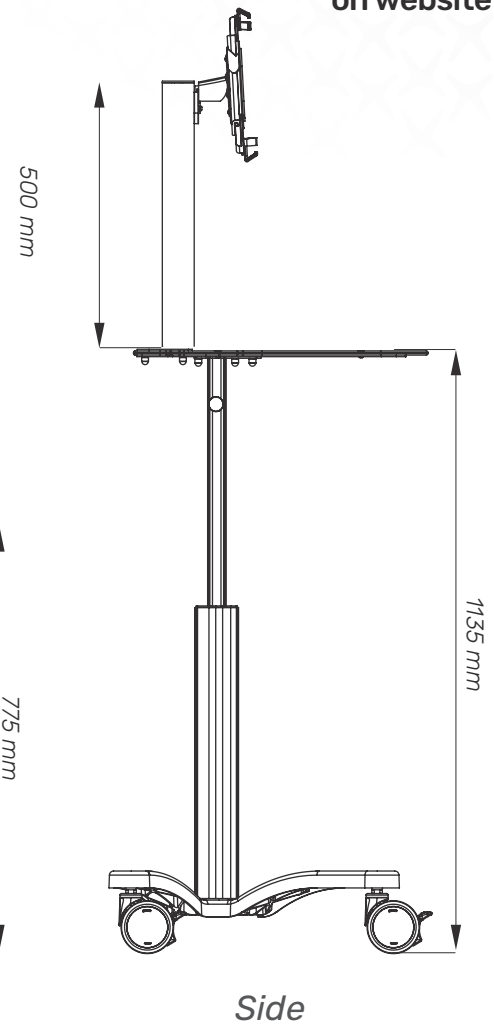
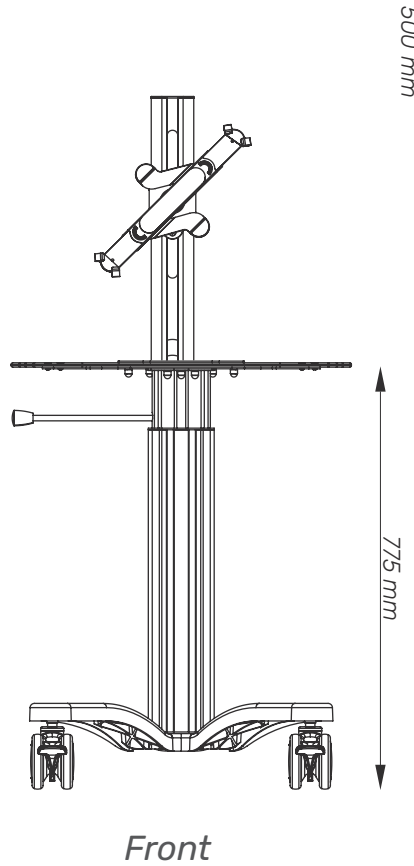
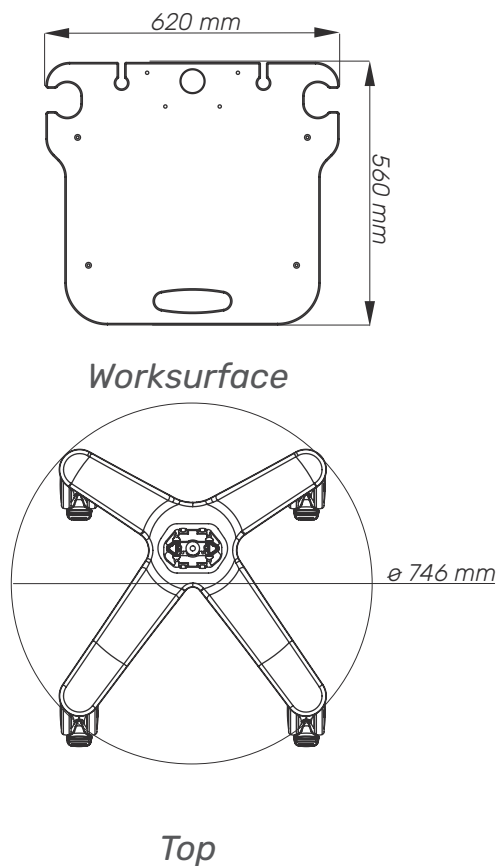
More info
on website



Accessories
available



Tablet Mount
Datasheet



Mechanical data	
Work surface height	Min: 775 mm Max: 1135 mm
Wheelbase dimension	746 mm (diameter)
Work surface dimensions	Width: 620 mm Height: 560 mm
Wheels/locking	2 lockable, 100mm diameter
Loading capacity	65 kg
Construction	
Main material	Aluminium, PMMA
Color	
RAL 9016	
Custom color	
Certificates	
Certificates conforms to	IEC60601-1:2012 (Edition 3)
CE	Rohs compliant