

# **CHA6-5**

**MEDICAL**  
CART COMPANY

Height adjustable cart with keyboard tray  
and laptop mount

## Chameleon 6 Range



*Ergonomic*



*Easy to clean*



*Multi purpose*



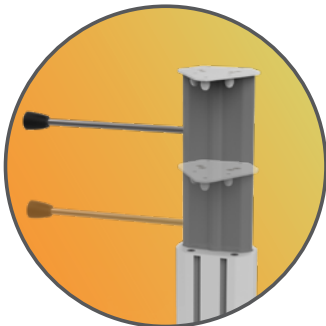
*Lifetime warranty*



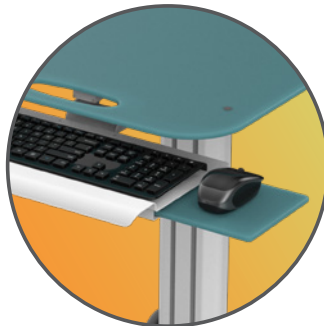
*Quick setup*



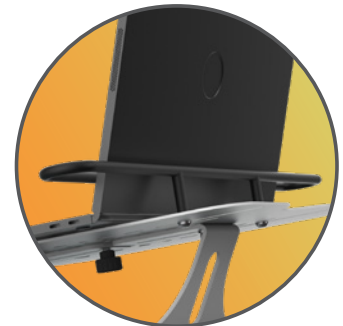
## FEATURES



*Height adjustment and  
channels to fix accessories*



*Keyboard tray  
with mouse pad*



*Laptop protection up to 17"*



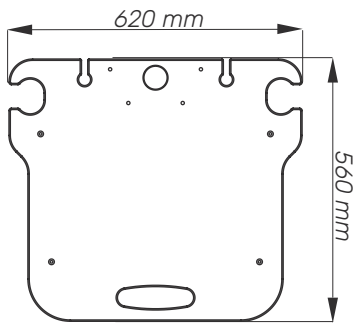
*Designed and manufactured in  
Hungary, products are typically  
100% recyclable and upgradable  
in the future. Raw materials are  
sourced locally or in the EU.*

# Cart Properties

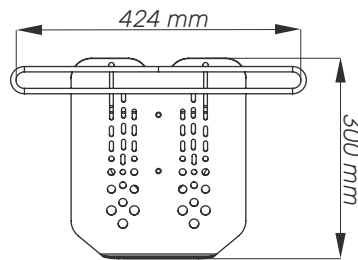
Dimensions and mechanical data



More info  
on website



Work surface



Laptop stand



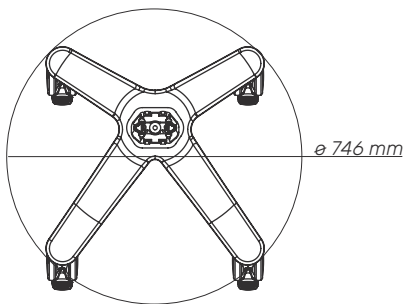
Accessories  
available



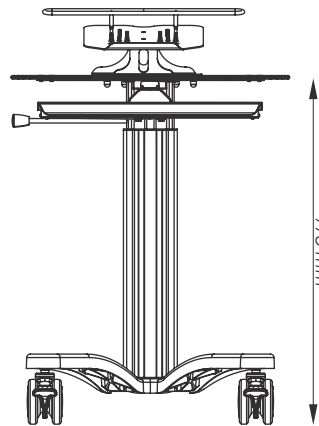
Keyboard Tray  
Datasheet



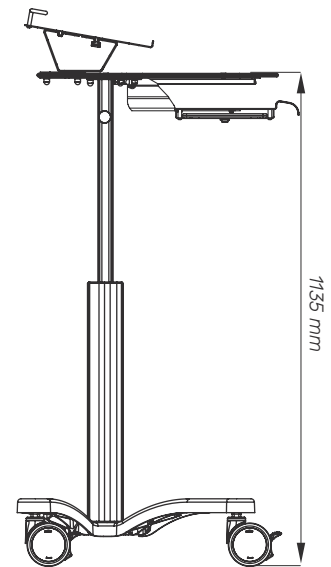
Laptop Mount  
Datasheet



Top



Front



Side



## Mechanical data

Work surface height	Min.: 775 mm Max.: 1135 mm
Wheelbase dimension	746 mm (diameter)
Work surface dimensions	Width: 540 mm Height: 560 mm
Wheels/locking	2 lockable, 100 mm diameter
Loading capacity	65 kg
Laptop stand	Up to 17"; Width: 424 mm; Length: 300 mm

## Construction

Main material	Aluminium, PMMA
---------------	-----------------

## Color

RAL 9016	
Custom color	

## Certificates

Certificates conforms to	IEC60601-1:2012 (Edition 3)
CE	Rohs compliant