

RHI-3

MEDICAL
CART COMPANY

Height adjustable cart
with laptop mount

Rhino Range



Ergonomic



Easy to clean



Multi purpose



Lifetime warranty



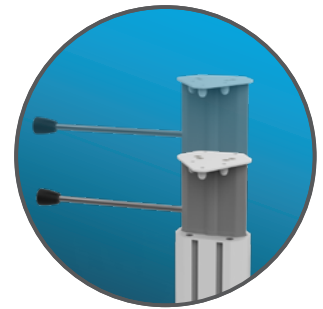
Quick setup



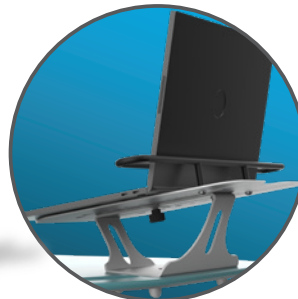
FEATURES



Designed and manufactured in Hungary, products are typically 100% recyclable and upgradable in the future. Raw materials are sourced locally or in the EU.



*Height adjustment
and column channels
to fix accessories*



Laptop protection



Lockable wheels

Cart Properties

Dimensions and mechanical data



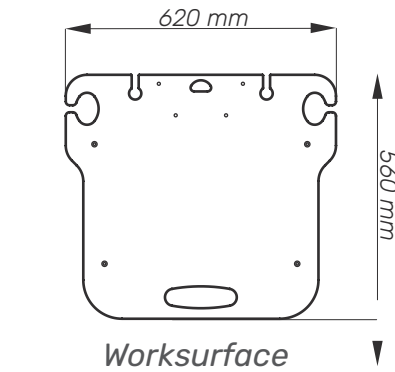
More info
on website



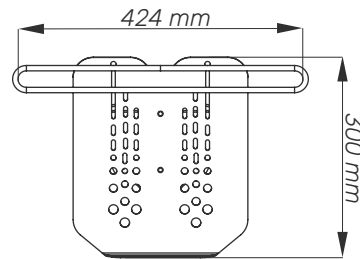
Accessories
Available



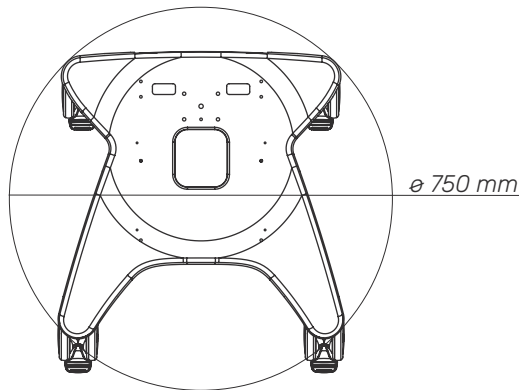
Display Mount
Datasheet



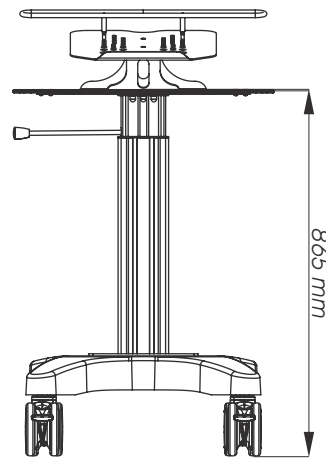
Worksurface



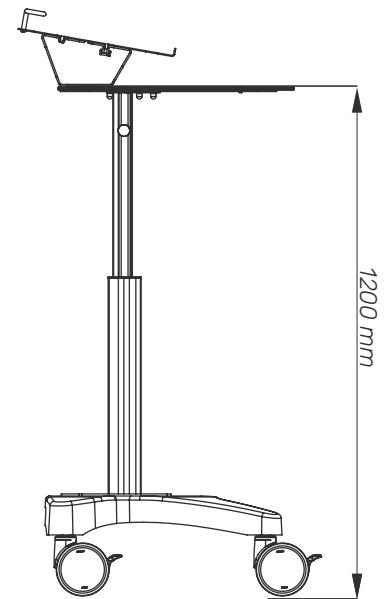
Laptop stand



Top



Front



Side

Mechanical data

Height	Min.: 865 mm Max.: 1200 mm
Wheelbase dimension	750 mm (diameter)
Work surface dimensions	Width: 620 mm Height: 560 mm
Wheels/locking	2 lockable, 125mm diameter
Loading capacity	80 kg
Laptop stand	Width: 424 mm; Length: 300 mm

Construction

Main material	Aluminium
---------------	-----------

Color

RAL 9016	
Custom color	

Certificates

Certificates conforms to	IEC60601-1:2012 (Edition 3)
CE	Rohs compliant